

381™ Baby Crib

for Rooming-In



Baby Crib Trolley 381

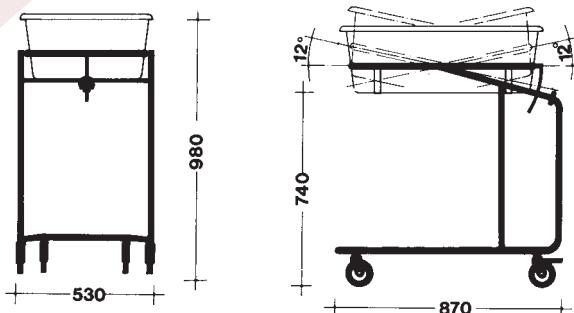
for Rooming-in

- Light to handle
- Safe, sturdy construction
- Easy to clean
- Space-saving storage

Baby Crib Trolley 381 is a handy aid for the nursing of newborns. It has been designed and dimensioned to allow the nurse and the new mother to tend to the baby in ergonomically correct positions. The large castors make the crib easy to move and are equipped with brakes to hold the crib safely in place. The frame of the crib allows its positioning across the mother's bed allowing convenient access to the baby. The bottom of the frame goes under the bed leaving more clear floor space.

- frame chrome plated
- crib of transparent acrylic
- easy to clean
- mattress base perforated
- a label pocket at the end
- Trendelenburg and anti-Trendelenburg adjustments steplessly
- castors Ø 100 mm, two castors fitted with brakes
- Warranty 3 years

Crib trolleys can be horizontally stacked to save place. This is advantageous during transportation and storage.



CE

 **MERIVAARA**

Merivaara Corp.

Puustellintie 2, FI-15150 LAHTI, FINLAND
Tel. +358 3 3394 611, fax +358 3 3394 6144
merivaara@merivaara.fi
www.merivaara.com