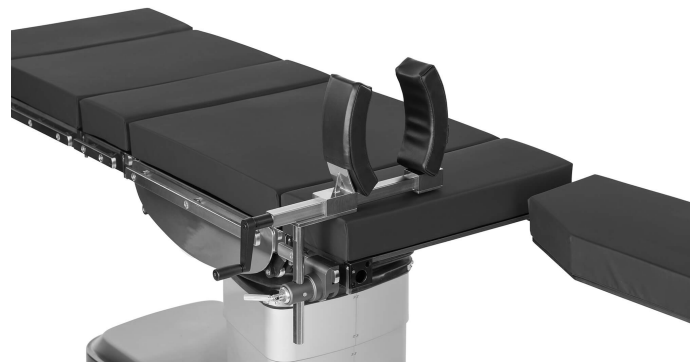


## SS3020 Knee arthroscopy holder

- arthroscopic knee holder keeps leg in fixed position during surgery
- stepless adjustment with crank
- Recommended clamps: CL1010/ CL2010



### Contacta con nosotras

**Merivaara Corp.**  
Tarmontie 2-4  
15860 HOLLOLA  
FINLAND

+358 3 3394 611

[merivaara@merivaara.com](mailto:merivaara@merivaara.com)