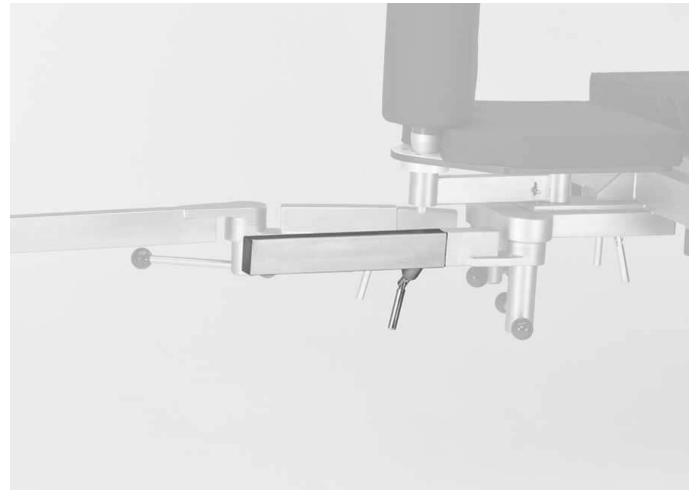


Short support arm 19313

Short support arm 19313 for supporting healthy leg with stirrup or leg support, e.g. 20118. Clamp 19135 to be ordered separately.



Technical Specifications

Length	50 mm
Height	300 mm
Max. patient weight	225 kg
Safe working load (SWL)	58 kg
Weight	1.5 kg
Product Code	100019313

Contact us

Merivaara Corp.
Tarmontie 2-4
15860 HOLLOLA
FINLAND

+358 3 3394 611

merivaara@merivaara.com